



TOITURE **ÉCO** QUÉBEC

toit.eco.quebec@gmail.com

438-505-4863-en
514-415-9088-fr

toitureecoquebec
toitureecoquébec



www.toituresecoquebec.ca

SPECIFICATIONS

Toiture Éco Québec

is an architectural steel covering for residential, commercial and institutional installations. It reproduces the wood perfectly, without the constraints of maintenance. Weatherproof and waterproof, "Toiture Éco Québec" is a stable product that does not warp; The UV protection of the paint prevents discoloration and cracking, unlike wood. This paneling is installed vertically.

MATERIAL AVAILABLE

Galvanized Steel Pre-Painted
(ASTM A-653 SS, grade 33, Z275 (G-90)); Caliper (thickness): 26 (.021 "/0.54mm).
Painting (s):
Wood Grain Series Fluoropolymer (PVDF): Cedar and Walnut
Nuclear Grain Series:
Colonial Red, Wine Red, Terracotta, Space black, Graphite Gray, Chocolate Brown

Total Nominal Thickness	Width	Steel grade
0,50 mm	1250 mm	DX51D+Z

Zinc coating

Weight

225 gr

0.92 lb/sq.ft.

Minimum Elastic Limit Maximum Constraint Young Modulus

Fy = 33,000.00 PSI (228Mpa)

Fb = 20,625.00 P.S.I (144Mpa)

(E)= 29,500,000.00 P.S.I (203Mpa)

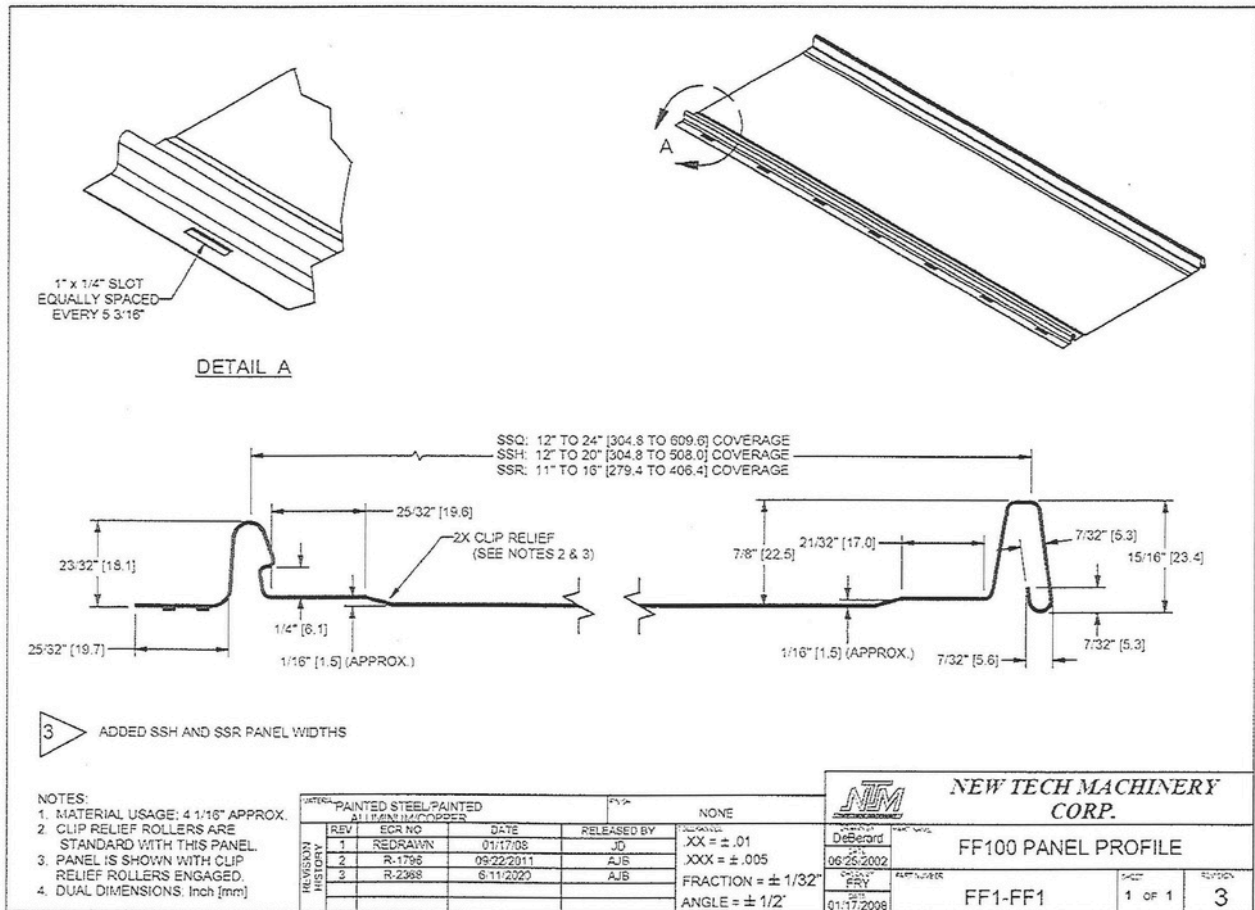
RESPECTED STANDARDS

National Building Code

CAN / ULC -S101 (Fire Propagation) Code 0 - Base Steel

Code 25-Steel Pre-Painted

: ICTAB / CSSBI Standard Guide S8 -08 ICTAB / CSSBI Standard 20M-2015 ICTAB / CSSBI Standard 23M-2015



TOITURE ECO QUÉBEC

toit.eco.quebec@gmail.com

438-505-4863-en
514-415-9088-fr

toiturecoquebec
toiturecoquebec



www.toituresecoquebec.ca

